

ゲート駆動専用DC-DC電源 2DDシリーズ

DC-DC Converter for gate drive 2DD series

NEW

2DDシリーズは各種SiC,IGBTパワーモジュールの駆動専用DC-DC電源です。
低寄生容量 (9pF)、高耐圧 (5kV) により、IGBTの他、SiCの駆動用にも最適な1台。

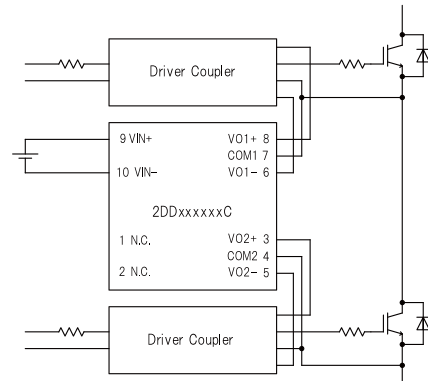
The 2DD series is a dedicated DC-DC Converter for driving various SiC and IGBT power modules.
The low parasitic capacitance (9pF) and Insulation valtage (5kV) make this product ideal for driving IGBT and SiC.



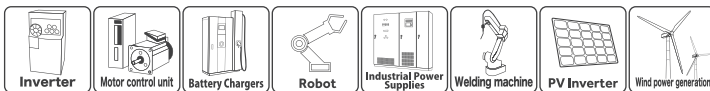
特長 / Features

1. 高絶縁耐圧 (AC5kV) 1. High insulation voltage (AC5kV)
2. 低寄生容量 (9pF TYP) 2. Low stray capacity (9pF TYP)
3. 低背型 (12.5mm) 3. Low profile (12.5mm)
4. 2in1タイプに対応した2出力 4. Dual output corresponding to 2in1
5. ワイド入力電圧範囲 (DC12~28V) 5. Wide input voltage range (DC12~28V)

構成図 / Application Image



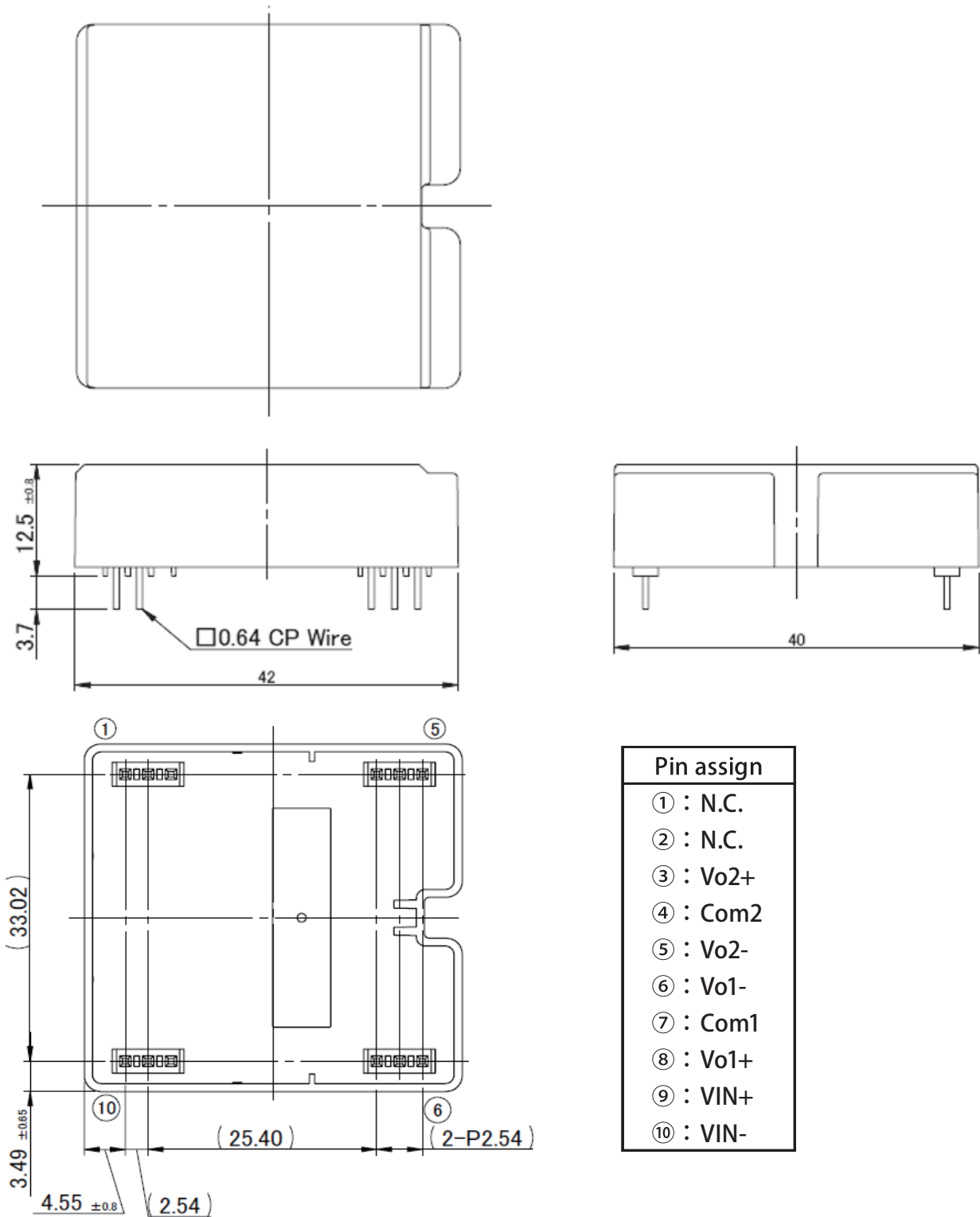
用途 / Applications



スペック / Specifications (Ta=25°C)

Item	Model			
	2DD151507C	2DD151008C	2DD180407C	2DD180206C
Input Voltage Range	DC13V~28V			
Number of Output	2			
Output Voltage (High) Vo1+,Vo2+	+14V~+16V	+14V~+16V	+17V~+19V	+17V~+19V
Output Voltage (Low) Vo1-,Vo2-	-14V~-16V	-9V~-11V	-3V~-5V	-1V~-3V
Rated Load (per 1ch)	0.11A	0.16A	0.16A	0.16A
Efficiency (DC24V, Rated load, Ta=25°C)	78.0%(typ)	78.0%(typ)	78.0%(typ)	77.0%(typ)
Line Regulation (Rated load, Ta=25°C)	50mV(typ)	50mV(typ)	50mV(typ)	50mV(typ)
Load Regulation (DC24V, 10mA~Rated load, Ta=25°C)	500mV(typ)	1000mV(typ)	500mV(typ)	500mV(typ)
Ripple	250mVpp	150mVpp	150mVpp	150mVpp
Ripple & Noise	300mVpp	200mVpp	200mVpp	200mVpp
Protection	Over Current Protection	Auto recovery		
	Over Temperature Protection	Auto recovery		
Insulation	Withstand voltage	Primary to secondary : AC5000V		
	Insulation Resistance	Secondary to secondary : AC4000V		
	Isolation Capacitance	DC500V 100MΩmin 9pF(typ)		
Environment	Ambient Temperature (Operating)	-40~+85°C (Input Voltage : DC13V~18V)		
	Ambient Humidity (Operating)	-40~+75°C (Input Voltage : DC13V~28V)		
	Ambient Temperature (Storage)	20~95%RH (Nil condensation)		
	Ambient Humidity (Storage)	-40~+90°C		
	Vibration	5~95%RH (Nil condensation)		
	Shock	10~55Hz 1.5mmp-p 120min X,Y,Z direction each once 490m/s ² 11ms X,Y,Z direction each once		

外形図 / Outline Dimensional Drawing



Unit : mm
 Note : 1.The dimensional tolerance without directions is ± 0.5mm.