

REV. Status
REVISION - 7-23-96 TS
REVISION A REFORMATTED 08/14/96 TS
REVISION B REFORMATTED 07/15/97 TS
REVISION C CHANGED A.7. 08/20/99 TS
REVISION D ADDED RoHS 01/12/06 MP
REVISION E SAFETY UPDATED FUSE INFO ADDED 6-22-09 MP
REVISION F REMOVED TEMECULA CA. 11-22-19 MP

THREE FLANGE SINGLE PRIMARY 12.0VA PC BOARD POWER TRANSFORMER

A. Electrical Specifications (@ 25°C)

- Maximum Power: 12.0 VA
- Input Voltage and Frequency: 115V 50/60 Hz
- Secondary Voltage: See Table A
- Voltage Regulation: 19% TYP @ full load to no load
- Temperature Rise: 45°C TYP (50°C MAX allowed)
- Insulation Resistance:
100 MΩ MIN @ 500VDC, Pri to Sec, Pri to Core
100 MΩ MIN @ 500VDC, Sec to Core
- Hi-Pot: 2500 Vrms 1 minute @ Pri to Sec
1500 Vrms 1 minute @ Pri to Core
1500 Vrms 1 minute @ Sec to Core
500 Vrms 1 minute @ Sec to Sec

B. Marking: TAMURA, Tamura part number (see sheet 2), MICROTRAN, Microtran part number (see sheet 2), date code, country of origin, safety logos and input and output ratings

C. Safety:

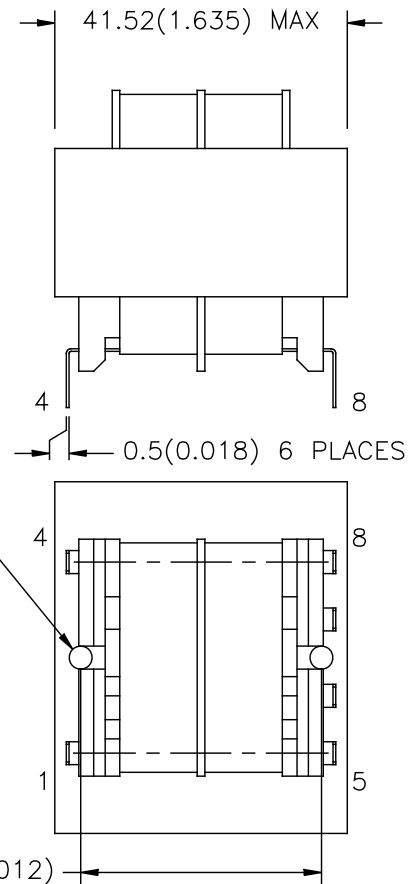
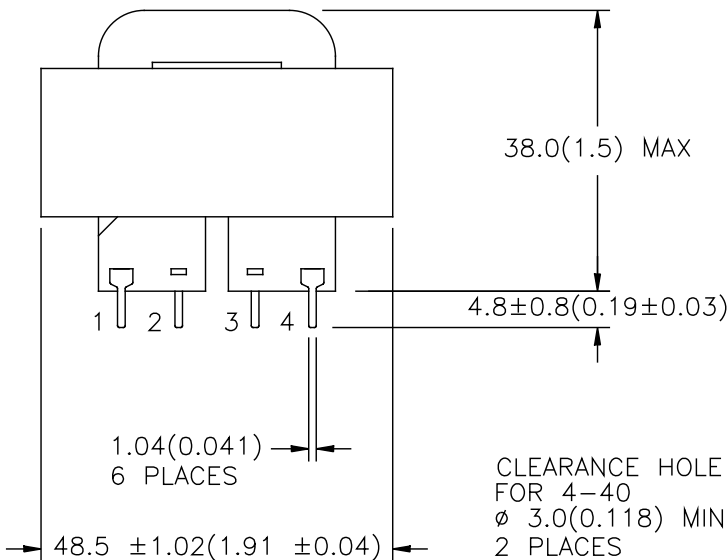
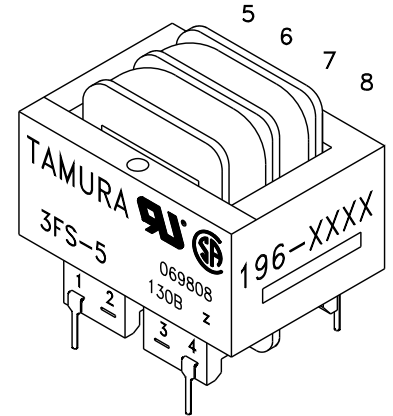
Insulation Class B (130°C) File No. E92957
 CSA 22.2 No. 66-1988, File No. 069808.
 UL 1585, Class 2 or 3, Noninherently limited,
 File No. E95844.
 UL 506, General Purpose, File No. E91239

D. Mechanical Specifications:



MODEL NUMBER

3FS-5XX & PSS5-XX



PREPARED BY:
C. POPPE

ENGINEER:
M. PITCHAI

DRAWING CONTROL NO. P-A1-11648
 REV F

MODEL DESCRIPTION
 SIZE 5 3FS & PSS FAMILY
 POWER TRANSFORMER

MODEL SPECIFICATION
 3FS-5XX & PSS5-XX

SAFETY ENGINEER

CONTENTS OF THIS DRAWING ARE SUBJECT TO CHANGE WITHOUT PRIOR NOTICE

TAMURA CORPORATION OF AMERICA
 1040 SOUTH ANDREASEN DRIVE, #100 ESCONDIDO, CA. 92029
 (760) 871-2009

DIM: mm [In] | SCL: NONE | Sh: 1 OF 2

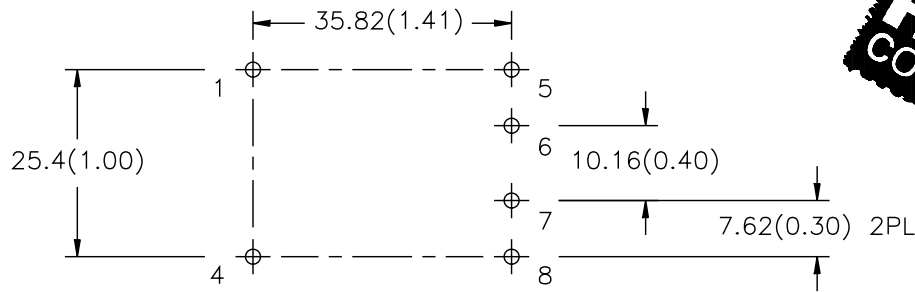
APPROVED:
M. PITCHAI

PROPRIETARY NOTICE: THIS DRAWING PRINT OR DOCUMENT AND SUBJECT MATTER DISCLOSED HEREIN ARE PROPRIETARY ITEMS TO WHICH TAMURA RETAINS THE EXCLUSIVE RIGHT OF DISSEMINATION, REPRODUCTION, MANUFACTURE AND SALE. THIS DRAWING, PRINT OR DOCUMENT IS SUBMITTED IN CONFIDENCE FOR CONSIDERATION BY THE RECIPIENT ALONE UNLESS PERMISSION FOR FURTHER DISCLOSURE IS EXPRESSLY GRANTED IN WRITING.

REV. Status

REVISION -
FOR REVISION
HISTORY

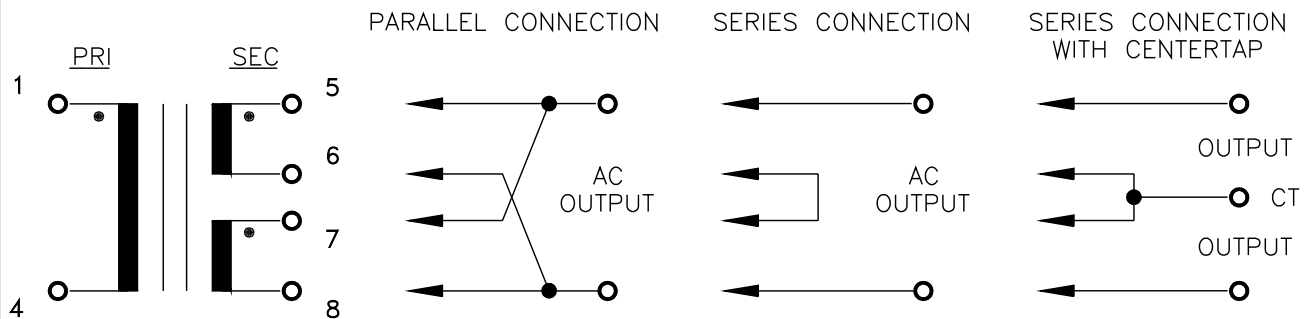
E. Mounting Footprint:



MODEL NUMBER

3FS-5XX & PSS5-XX

F. Schematic Diagram:



*not UL-recognized for series connect.

G. Table A: (NOTE: All parts are dual marked with both part numbers).

UL Approved Fuse.

TAMURA PART NO.	MICROTRAN PART NO.	PARALLEL		SERIES		SERIES WITH CT		SECONDARY FUSE REQUIRED EACH WINDING
		AC VOLTS	RMS AMPS	AC VOLTS	RMS AMPS	AC VOLTS	RMS AMPS	
3FS-510	PSS5-10	5.0	2.4	10.0	1.2	5.0-CT-5.0	1.2	1.50A
3FS-512	PSS5-12	6.3	2.0	12.6	1.0	6.3-CT-6.3	1.0	1.25A
3FS-516	PSS5-16	8.0	1.6	16.0	0.8	8.0-CT-8.0	0.8	1.0A
3FS-520	PSS5-20	10.0	1.2	20.0	0.6	10.0-CT-10.0	0.6	0.75A
3FS-524	PSS5-24	12.0	1.0	24.0	0.5	12.0-CT-12.0	0.5	0.60A
3FS-528	PSS5-28	14.0	0.84	28.0	0.42	14.0-CT-14.0	0.42	0.50A
3FS-536	PSS5-36	18.0	0.7	36.0	0.35	18.0-CT-18.0	0.35	0.50A
3FS-548	PSS5-48	24.0	0.5	48.0	0.25	24.0-CT-24.0	0.25	0.315A
3FS-556	PSS5-56	28.0	0.44	56.0	0.22	28.0-CT-28.0	0.22	0.30A
3FS-5120	PSS5-120	60.0	0.2	120.0*	0.1	60.0-CT-60.0	0.1	N/A

PREPARED BY:

C. POPPE

ENGINEER:

M. PITCHAI

SAFETY ENGINEER

DRAWING CONTROL NO. P-A1-11648	REV F	MODEL DESCRIPTION SIZE 5 3FS & PSS FAMILY POWER TRANSFORMER	MODEL SPECIFICATION 3FS-5XX & PSS5-XX
CONTENTS OF THIS DRAWING ARE SUBJECT TO CHANGE WITHOUT PRIOR NOTICE		TAMURA CORPORATION OF AMERICA 1040 SOUTH ANDREASEN DRIVE, #100 ESCONDIDO, CA. 92029 (760) 871-2009	DIM: mm[In] SCL: NONE Sh: 2 OF 2
APPROVED:	PROPRIETARY NOTICE: THIS DRAWING PRINT OR DOCUMENT AND SUBJECT MATTER DISCLOSED HEREIN ARE PROPRIETARY ITEMS TO WHICH TAMURA RETAINS THE EXCLUSIVE RIGHT OF DISSEMINATION, REPRODUCTION, MANUFACTURE AND SALE. THIS DRAWING, PRINT OR DOCUMENT IS SUBMITTED IN CONFIDENCE FOR CONSIDERATION BY THE RECIPIENT ALONE UNLESS PERMISSION FOR FURTHER DISCLOSURE IS EXPRESSLY GRANTED IN WRITING.		
M. PITCHAI			