

REVISION -
05/07/96 TS

REVISION A
REFORMATTED
08/14/96 TS

REVISION B
REFORMATTED
07/14/97 TS

REVISION C
CHANGED A.7.
08/23/99 TS

REVISION D
ADDED RoHS
01/10/06 MP

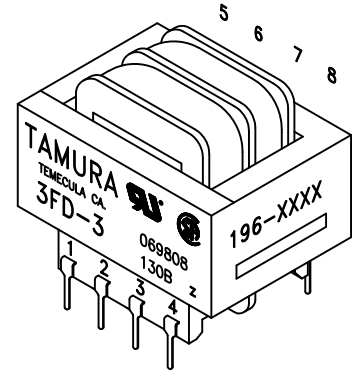
REVISION E
SAFETY UPDATED.
FUSE INFO
ADDED.
6-25-09 MP

A. Electrical Specifications (@ 25 °C)

1. Maximum Power: 2.4 VA.
2. Input Voltage and Frequency: 115V/230V 50/60 Hz.
3. Secondary Voltage: See Table A
4. Voltage Regulation: 24% TYP @ full load to no load.
5. Temperature Rise: 35°C TYP (45°C MAX allowed).
6. Insulation Resistance:
100 MΩ MIN @ 500VDC, Pri to Sec, Pri to Core.
100 MΩ MIN @ 500VDC, Sec to Core.
7. Hi-Pot: 2500 Vrms 1 minute @ Pri to Sec.
1500 Vrms 1 minute @ Pri to Core.
1500 Vrms 1 minute @ Sec to Core.
500 Vrms 1 minute @ Sec to Sec.



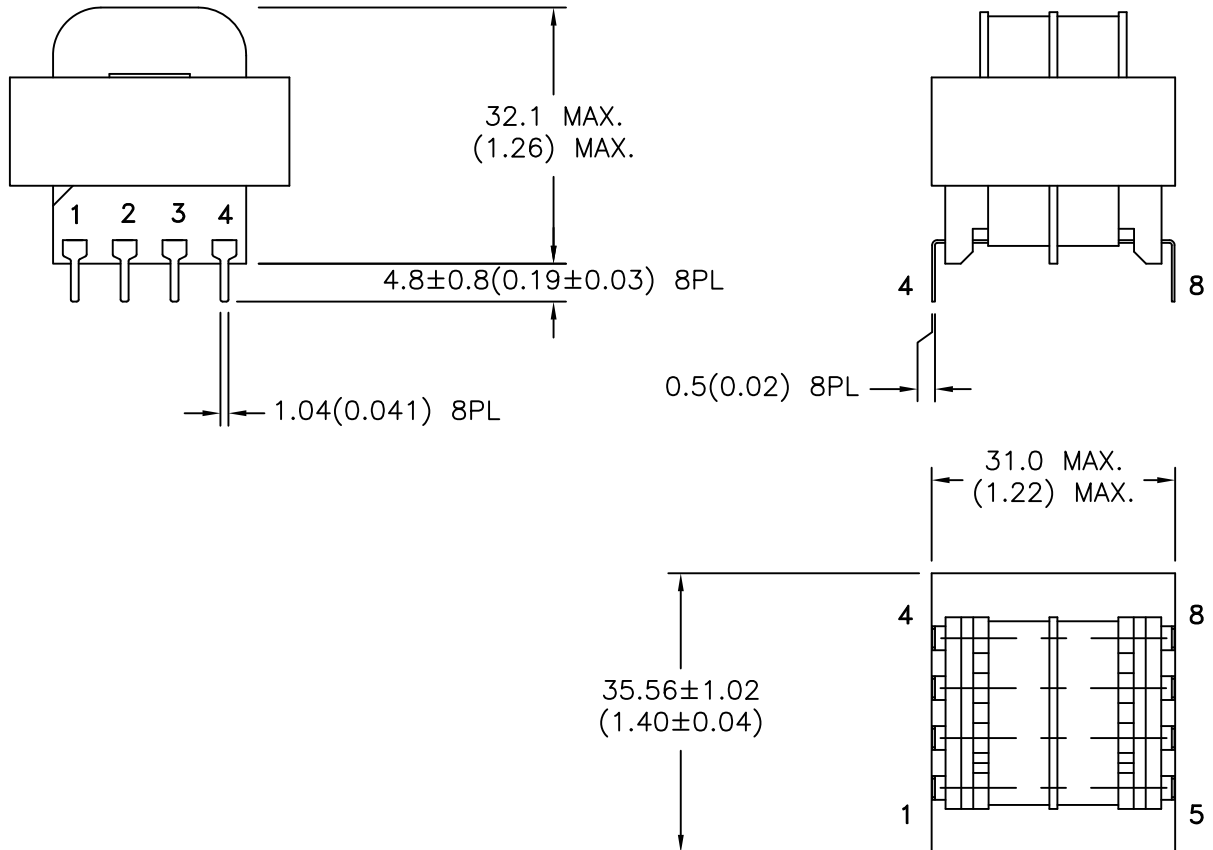
B. Marking: TAMURA, Tamura part number (see sheet 2), MICROTRAN, Microtran part number (see sheet 2), date code, country of origin, safety logos and input and output ratings.



C. Safety:

- Insulation Class B (130°C) File No. E92957.
- CSA 22.2 No. 66-1988, File No. 069808.
- UL 1585, Class 2 or 3, Noninherently limited, File No. E95844.
- UL 506, General Purpose, File No. E91239.

D. Mechanical Specifications:



PREPARED BY:
E. BRINER

ENGINEER:
M. PITCHAI
SAFETY ENGINEER
B. O.

DRAWING CONTROL NO.
P-A1-11162
REV
E
CONTENTS OF THIS DRAWING ARE SUBJECT TO CHANGE WITHOUT PRIOR NOTICE

MODEL DESCRIPTION
SIZE 3 3FD & PSD FAMILY
POWER TRANSFORMER
TAMURA CORPORATION OF AMERICA
1040 SOUTH ANDREASEN DRIVE, #100 ESCONDIDO, CA. 92029
(951) 699-1270 FAX 7607400536

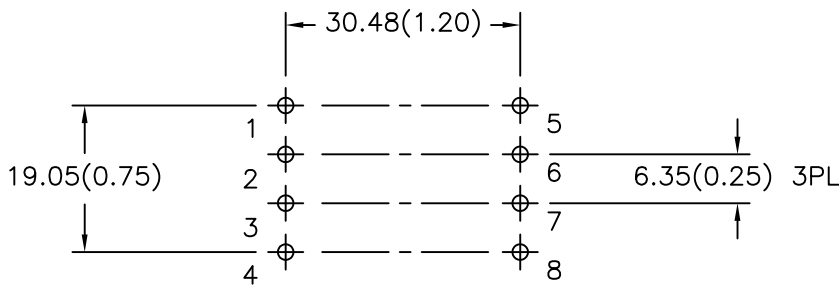
MODEL SPECIFICATION
3FD-3XX & PSD3-XX
DIM: mm[In] SCL: NONE SH: 1 OF 2

APPROVED:
T. BROOKS

PROPRIETARY NOTICE: THIS DRAWING PRINT OR DOCUMENT AND SUBJECT MATTER DISCLOSED HEREIN ARE PROPRIETARY ITEMS TO WHICH TAMURA RETAINS THE EXCLUSIVE RIGHT OF DISSEMINATION, REPRODUCTION, MANUFACTURE AND SALE. THIS DRAWING, PRINT OR DOCUMENT IS SUBMITTED IN CONFIDENCE FOR CONSIDERATION BY THE RECIPIENT ALONE UNLESS PERMISSION FOR FURTHER DISCLOSURE IS EXPRESSLY GRANTED IN WRITING.

SEE SHEET
1 OF 2 FOR
REVISION
HISTORY

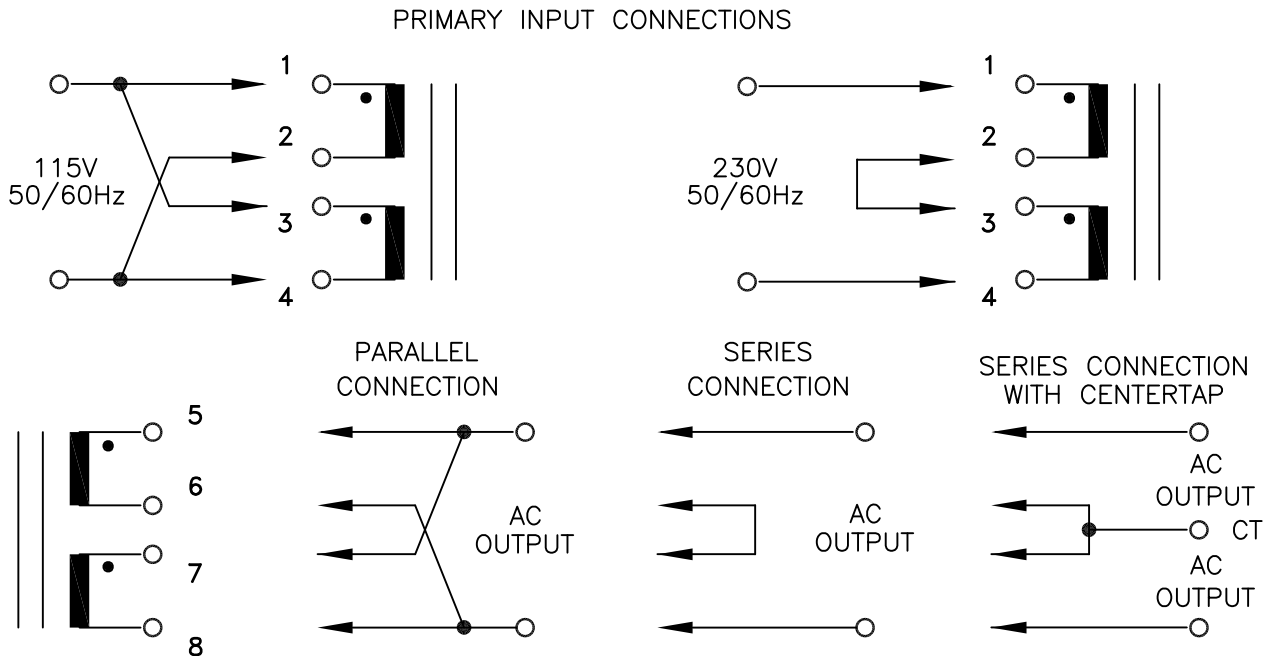
E. Mounting Footprint:



MODEL NUMBER

3FD-3XX & PSD3-XX

F. Connection Diagram:



*not UL - recognized for series connect.

G. Table A: (NOTE: All parts are dual marked with both part numbers)

UL APPROVED FUSE

TAMURA P/N	MICROTRAN PART NO.	PARALLEL		SERIES		SERIES WITH CT		SECONDARY FUSE REQUIRED EACH WINDING
		AC VOLTS	RMS AMPS	AC VOLTS	RMS AMPS	AC VOLTS	RMS AMPS	
3FD-310	PSS3-10	5.0	0.50	10.0	0.25	5.0-CT-5.0	0.25	0.3A
3FD-312	PSD3-12	6.3	0.40	12.6	0.20	6.3-CT-6.3	0.20	0.25A
3FD-316	PSD3-16	8.0	0.30	16.0	0.15	8.0-CT-8.0	0.15	0.2A
3FD-320	PSD3-20	10.0	0.24	20.0	0.12	10.0-CT-10.0	0.12	0.15A
3FD-324	PSD3-24	12.0	0.20	24.0	0.10	12.0-CT-12.0	0.10	0.125A
3FD-328	PSD3-28	14.0	0.17	28.0	0.085	14.0-CT-14.0	0.085	0.1A
3FD-336	PSD3-36	18.0	0.13	36.0	0.065	18.0-CT-18.0	0.065	0.1A
3FD-348	PSD3-48	24.0	0.10	48.0	0.05	24.0-CT-24.0	0.05	1/16A
3FD-356	PSD3-56	28.0	0.09	56.0	0.045	28.0-CT-28.0	0.045	1/16A
3FD-3120	PSD3-120	60.0	0.40	120.0*	0.02	60.0-CT-60.0	0.02	N/A

PREPARED BY:

E. BRINER

ENGINEER:

M. PITCHAI

SAFETY ENGINEER

B. O .

APPROVED:

T. BROOKS

DRAWING CONTROL NO.

P-A1-11162

REV

E

MODEL DESCRIPTION
SIZE 3 3FD & PSD FAMILY
POWER TRANSFORMER

TAMURA CORPORATION OF AMERICA

1040 SOUTH ANDREASEN DRIVE, #100 ESCONDIDO, CA. 92029
(951) 699-1270 FAX 7607400536

MODEL SPECIFICATION

3FD-3XX & PSD3-XX

DIM: mm[In] SCL: NONE SH: 2 OF 2

PROPRIETARY NOTICE: THIS DRAWING PRINT OR DOCUMENT AND SUBJECT MATTER DISCLOSED HEREIN ARE PROPRIETARY ITEMS TO WHICH TAMURA RETAINS THE EXCLUSIVE RIGHT OF DISSEMINATION, REPRODUCTION, MANUFACTURE AND SALE. THIS DRAWING, PRINT OR DOCUMENT IS SUBMITTED IN CONFIDENCE FOR CONSIDERATION BY THE RECIPIENT ALONE UNLESS PERMISSION FOR FURTHER DISCLOSURE IS EXPRESSLY GRANTED IN WRITING.