



REV. Status

REVISION -
12/02/03 YS

REVISION A
ADDED RoHS &
UPDATED LABELS
03/01/06 MP

REVISION B
CHG TUV FILE #
WAS 810/89
(EN60950 & VDE
0551). CLARIFIED
PIN OUTS
04/23/07 YS

REVISION C
UPDATE LOGO'S
TO STD IED.
Dielectric
Withstand WAS
Hi-Pot 3500.
Volt Reg WAS
23%.
4-30-08 EB

THREE FLANGE DUAL PRIMARY 30VA PC BOARD POWER TRANSFORMER

- A. Electrical Specifications (@ 25 °C)
1. Maximum Power: 30VA
 2. Primary Voltage and Frequency: 115/230VAC 50/60Hz
 3. Secondary RMS Rating: See Table A
 4. Voltage Regulation: 19% TYP @ full load to no load
 5. Temperature Rise: 55°C TYP (70°C MAX).
 6. Insulation Resistance:
100MΩ MIN @ 500VDC, Pri to Sec, Pri to Core
100MΩ MIN @ 500VDC, Sec to Core
 7. Dielectric Withstand: 3750Vrms 1 minute @ Pri to Sec
1500 Vrms 1 minute @ Pri to Core
1500 Vrms 1 minute @ Sec to Core



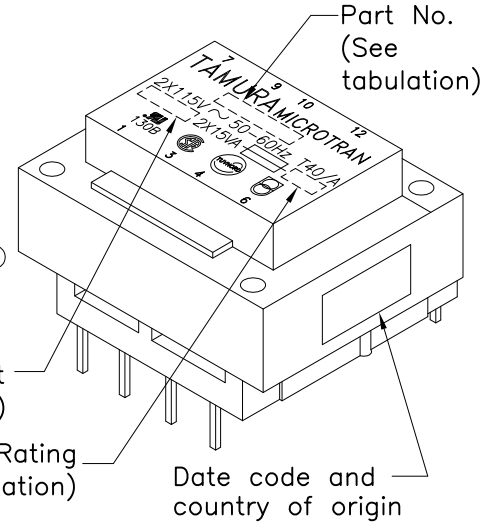
MODEL NUMBER

PL30-XX-130B

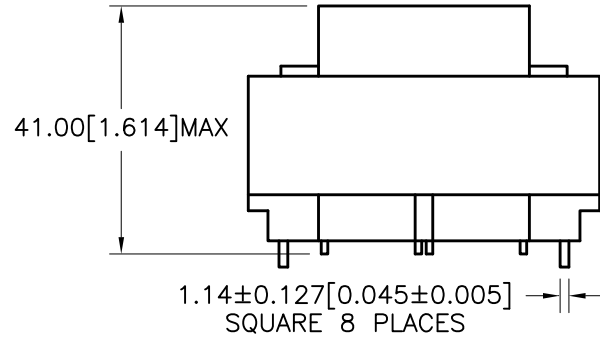
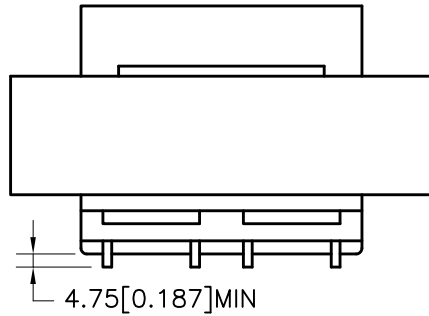
B. Marking: TAMURA, MICROTRAN, part number (see sheet 2), date code, country of origin, safety logos and input and output ratings

C. Safety:
Conforms to construction requirement of:

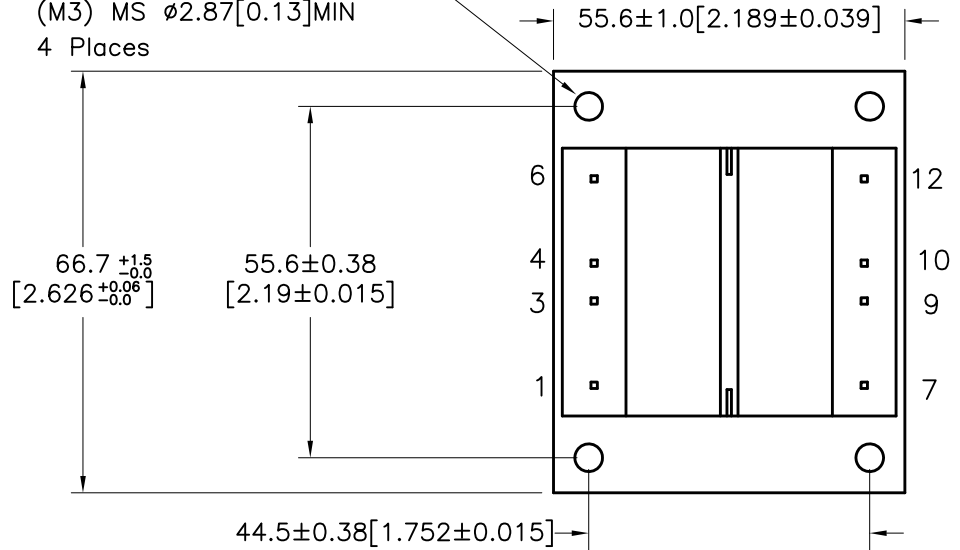
- UL1411
 - UL506
 - UL1446
 - EN61558-1, -2-6
 - CSA No. 66-1956
- Safety certificate file reference:
UL E138028, E79781, E92957
CSA 069222
TUV (P.S.) 20650818



D. Mechanical Specifications:



Clearance holes for 4-40 (M3) MS ϕ 2.87 [0.13] MIN
4 Places



TOLERANCES (mm)
≤ 4 ± 0.2
4 ≤ 20 ± 0.3
20 ≤ 50 ± 0.4

PREPARED BY:

C. Poppe

NOTE: BOARD WASHING IS NOT RECOMMENDED FOR THESE PARTS.

ENGINEER:
Mathi Pitchai

DWG CONTROL NO.
P-A1-12261
ACAD/MXFMR/A1122611.DWG

REV
C

POWER
TRANSFORMER

PL30-XX-130B

SAFETY ENGINEER
B. Oconnel

CONTENTS OF THIS DRAWING ARE
SUBJECT TO CHANGE WITHOUT
PRIOR NOTICE

TAMURA CORPORATION OF AMERICA
43352 BUSINESS PARK DRIVE, TEMECULA, CA. 92590-6624
(951) 699-1270 FAX 9516769482

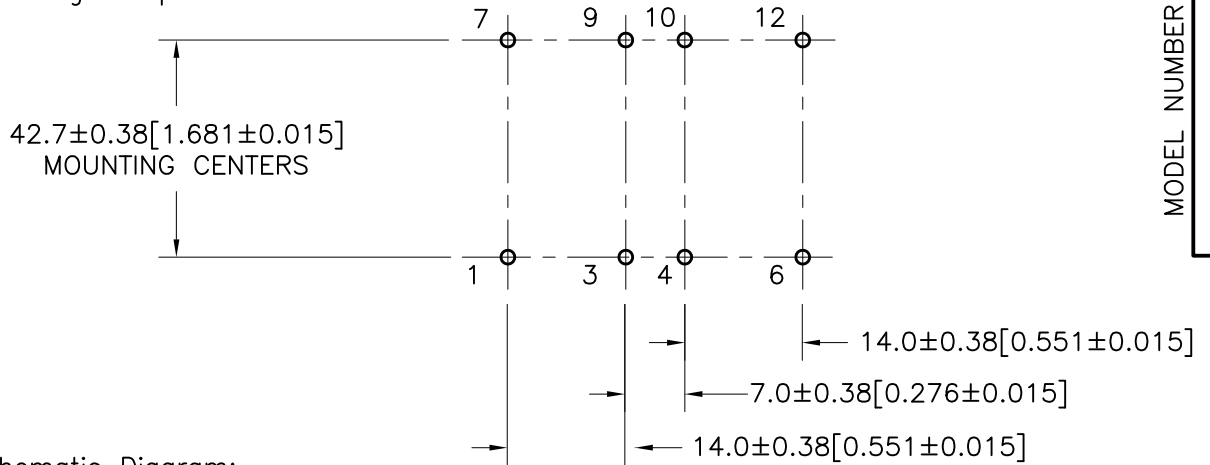
MODEL SPECIFICATION

DIM: mm(in) SCL: 1/1 SH: 1 OF 2

APPROVED:
Peter Brune

PROPRIETARY NOTICE: THIS DRAWING PRINT OR DOCUMENT AND SUBJECT MATTER DISCLOSED HEREIN ARE PROPRIETARY ITEMS TO WHICH TAMURA RETAINS THE EXCLUSIVE RIGHT OF DISSEMINATION, REPRODUCTION, MANUFACTURE AND SALE. THIS DRAWING, PRINT OR DOCUMENT IS SUBMITTED IN CONFIDENCE FOR CONSIDERATION BY THE RECIPIENT ALONE UNLESS PERMISSION FOR FURTHER DISCLOSURE IS EXPRESSLY GRANTED IN WRITING.

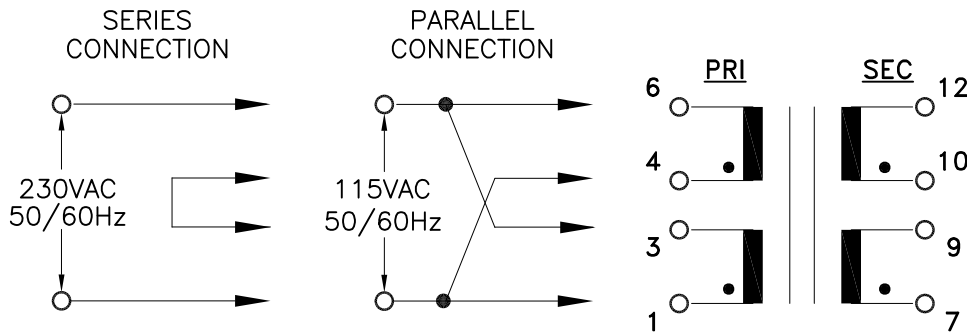
E. Mounting Footprint:



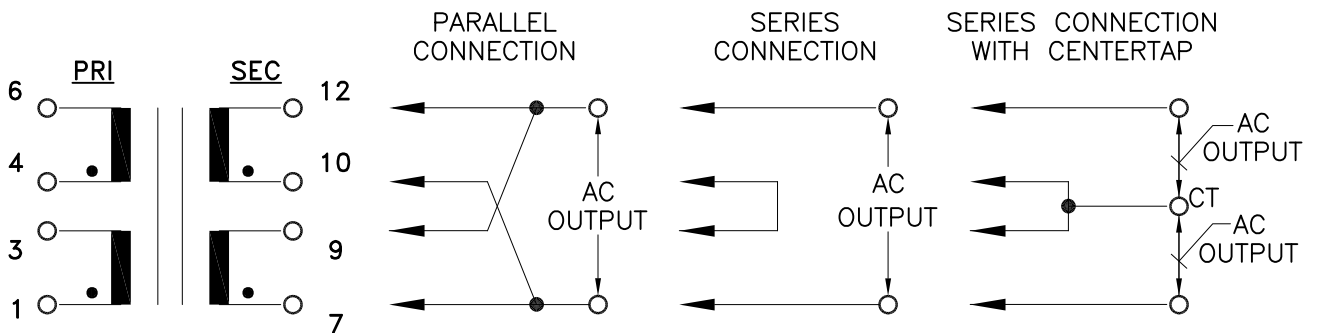
MODEL NUMBER
PL30-XX-130B

F. Schematic Diagram:

PRIMARY INPUT CONNECTIONS



SECONDARY OUTPUT CONNECTIONS



G. Table A:

T= Time lag

PART NO.	PARALLEL		SERIES		SERIES WITH CT		OUTPUT	SECONDARY FUSE REQ'D EA. WINDING
	AC VOLTS	RMS AMPS	AC VOLTS	RMS AMPS	AC VOLTS	RMS AMPS		
PL30-10-130B	5.0	6.00	10.0	3.00	5.0-CT-5.0	3.00	2X5.0V	T 3.15A
PL30-12-130B	6.3	4.80	12.6	2.40	6.3-CT-6.3	2.40	2X6.3V	T 2.50A
PL30-16-130B	8.0	3.80	16.0	1.90	8.0-CT-8.0	1.90	2X8.0V	T 2.00A
PL30-20-130B	10.0	3.00	20.0	1.50	10.0-CT-10.0	1.50	2X10.0V	T 1.60A
PL30-24-130B	12.0	2.50	24.0	1.25	12.0-CT-12.0	1.25	2X12.0V	T 1.25A
PL30-28-130B	14.0	2.12	28.0	1.06	14.0-CT-14.0	1.06	2X14.0V	T 1.25A
PL30-36-130B	18.0	1.64	36.0	0.82	18.0-CT-18.0	0.82	2X18.0V	T 1.00A

PREPARED BY:

C. Poppe

ENGINEER:
Mathi Pitchai

SAFETY ENGINEER
B. Oconnel

APPROVED:
Peter Brune

DWG CONTROL NO.
P-A1-12261
ACAD\MXFMR\A1122612.DWG

REV
C

POWER TRANSFORMER
TAMURA CORPORATION OF AMERICA
43352 BUSINESS PARK DRIVE, TEMECULA, CA. 92590-6624
(951) 699-1270 FAX 9516769482

PL30-XX-130B

MODEL SPECIFICATION

DIM: mm(ln) SCL: 1/1 SH: 2 OF 2

PROPRIETARY NOTICE: THIS DRAWING PRINT OR DOCUMENT AND SUBJECT MATTER DISCLOSED HEREIN ARE PROPRIETARY ITEMS TO WHICH TAMURA RETAINS THE EXCLUSIVE RIGHT OF DISSEMINATION, REPRODUCTION, MANUFACTURE AND SALE. THIS DRAWING, PRINT OR DOCUMENT IS SUBMITTED IN CONFIDENCE FOR CONSIDERATION BY THE RECIPIENT ALONE UNLESS PERMISSION FOR FURTHER DISCLOSURE IS EXPRESSLY GRANTED IN WRITING.