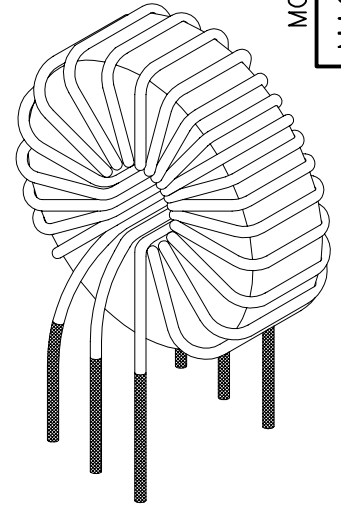
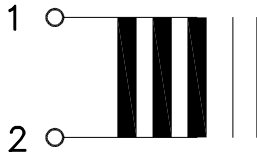


Amorphous Power Inductor

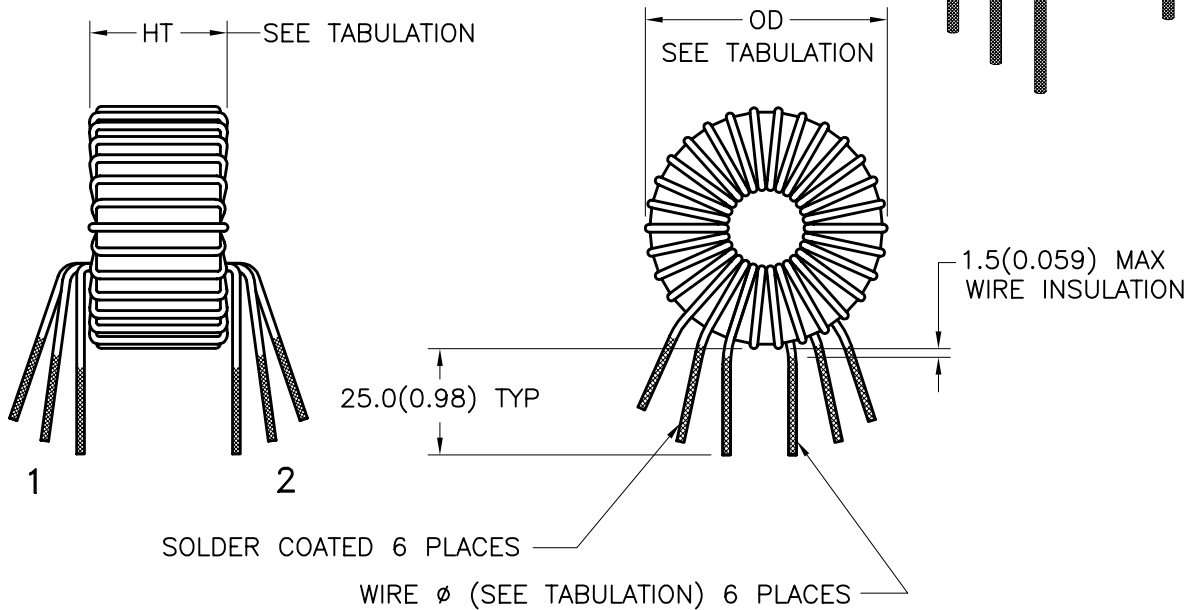
- ◆ For smoothing switching power supply output
- ◆ Rated Current: 15ADC
- ◆ Low core-loss at high frequency
- ◆ Amorphous iron cores with precised gap are used in the coil

MODEL NUMBER
NAC-15 SERIES

Schematic Diagram;



Mechanical Specifications;



Part Number	Rated Current (ADC)	Inductance (uH)±25%	DCR (mΩ) MAX	Wire Dia (ømm)	Dimension OD mm(In) MAX	Dimension HT mm(In) MAX
NAC-15-0031	15	30	7	1.0X3	29(1.14)	19(0.75)
NAC-15-0051	15	50	10	1.0X3	34(1.34)	20(0.79)
NAC-15-0101	15	100	11	1.1X3	43(1.69)	21(0.83)
NAC-15-0151	15	150	15	1.1X3	48(1.89)	28(1.10)
NAC-15-0201	15	200	20	1.1X3	56(2.20)	29(1.14)
NAC-15-0301	15	300	25	1.1X3	56(2.20)	29(1.14)
NAC-15-0501	15	500	35	1.1X3	57(2.24)	37(1.46)

PREPARED BY:

K. BRENNAN

NOTE: Inductance is measured at 20 KHz with specified DC current

ENGINEER:

M. PITCHAI

DWG CONTROL NO. P-A4-13609
ACAD\MXFMR\A4136091.DWG

REV

-

15A POWER INDUCTOR FOR SWITCH MODE POWER SUPPLIES

NAC-15 SERIES

QUALITY CONTROL:

T. CLEM

CONTENTS OF THIS DRAWING ARE SUBJECT TO CHANGE WITHOUT PRIOR NOTICE

TAMURA CORPORATION OF AMERICA
43352 BUSINESS PARK DRIVE, TEMECULA, CA. 92590-6624
(951) 699-1270 FAX 9516769482

MODEL SPECIFICATION

DIM: mm(In) SCL: 1/1 SH: 1 OF 1

APPROVED:

Y. SEKIGUCHI

PROPRIETARY NOTICE: THIS DRAWING PRINT OR DOCUMENT AND SUBJECT MATTER DISCLOSED HEREIN ARE PROPRIETARY ITEMS TO WHICH TAMURA RETAINS THE EXCLUSIVE RIGHT OF DISSEMINATION, REPRODUCTION, MANUFACTURE AND SALE. THIS DRAWING, PRINT OR DOCUMENT IS SUBMITTED IN CONFIDENCE FOR CONSIDERATION BY THE RECIPIENT ALONE UNLESS PERMISSION FOR FURTHER DISCLOSURE IS EXPRESSLY GRANTED IN WRITING.