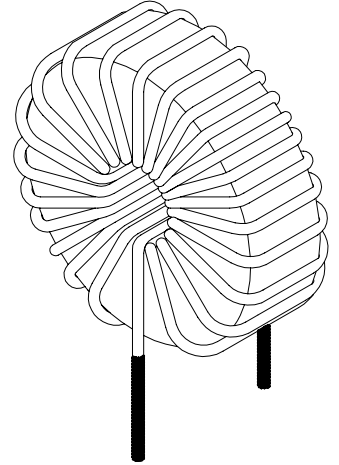
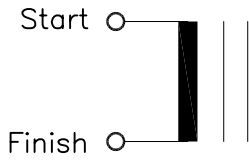


Amorphous Power Inductor

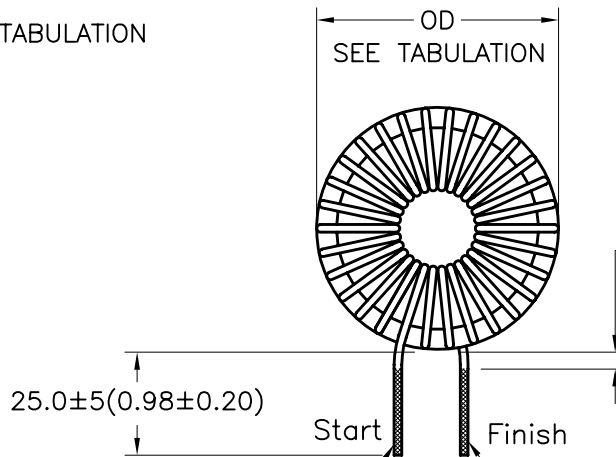
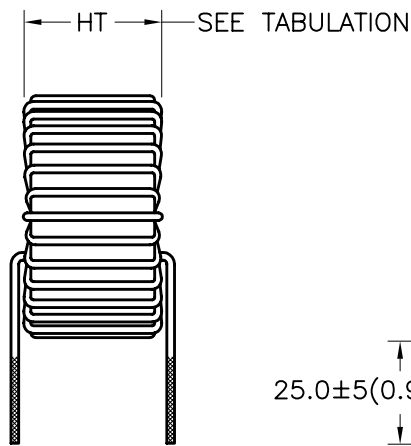
- ◆ For smoothing switching power supply output
- ◆ Rated Current: 2ADC
- ◆ Low core-loss at high frequency
- ◆ Amorphous iron cores with precised gap are used in the coil

MODEL NUMBER
NAC-02 SERIES

Schematic Diagram;



Mechanical Specifications;



SOLDER COATED (2 PLACES)

WIRE ϕ (SEE TABULATION)

Part Number	Rated Current (ADC)	Inductance (μH) $\pm 25\%$	DCR ($\text{m}\Omega$) MAX	Wire Dia (ϕ mm)	Dimension OD mm(In) MAX	Dimension HT mm(In) MAX
NAC-02-0501	2	500	180	0.6	23(0.91)	17(0.67)
NAC-02-0751	2	750	220	0.6	23(0.91)	17(0.67)
NAC-02-1001	2	1000	180	0.7	29(1.14)	18(0.71)
NAC-02-1501	2	1500	230	0.7	33(1.30)	19(0.75)
NAC-02-2001	2	2000	290	0.7	33(1.30)	19(0.75)

PREPARED BY:

K. BRENNAN

NOTE: Inductance is measured at 20 KHz with specified DC current

ENGINEER:

M. PITCHAI

DWG CONTROL NO. P-A4-13605
ACAD\MXFMR\A4136051.DWG

REV

-

2A POWER INDUCTOR FOR SWITCH MODE POWER SUPPLIES

QUALITY CONTROL:

T. CLEM

CONTENTS OF THIS DRAWING ARE SUBJECT TO CHANGE WITHOUT PRIOR NOTICE

TAMURA CORPORATION OF AMERICA
43352 BUSINESS PARK DRIVE, TEMECULA, CA. 92590-6624
(951) 699-1270 FAX 9516769482

NAC-02 SERIES

MODEL SPECIFICATION

APPROVED:

Y. SEKIGUCHI

PROPRIETARY NOTICE: THIS DRAWING PRINT OR DOCUMENT AND SUBJECT MATTER DISCLOSED HEREIN ARE PROPRIETARY ITEMS TO WHICH TAMURA RETAINS THE EXCLUSIVE RIGHT OF DISSEMINATION, REPRODUCTION, MANUFACTURE AND SALE. THIS DRAWING, PRINT OR DOCUMENT IS SUBMITTED IN CONFIDENCE FOR CONSIDERATION BY THE RECIPIENT ALONE UNLESS PERMISSION FOR FURTHER DISCLOSURE IS EXPRESSLY GRANTED IN WRITING.

DIM: mm(In) SCL: 1/1 SH: 1 OF 1