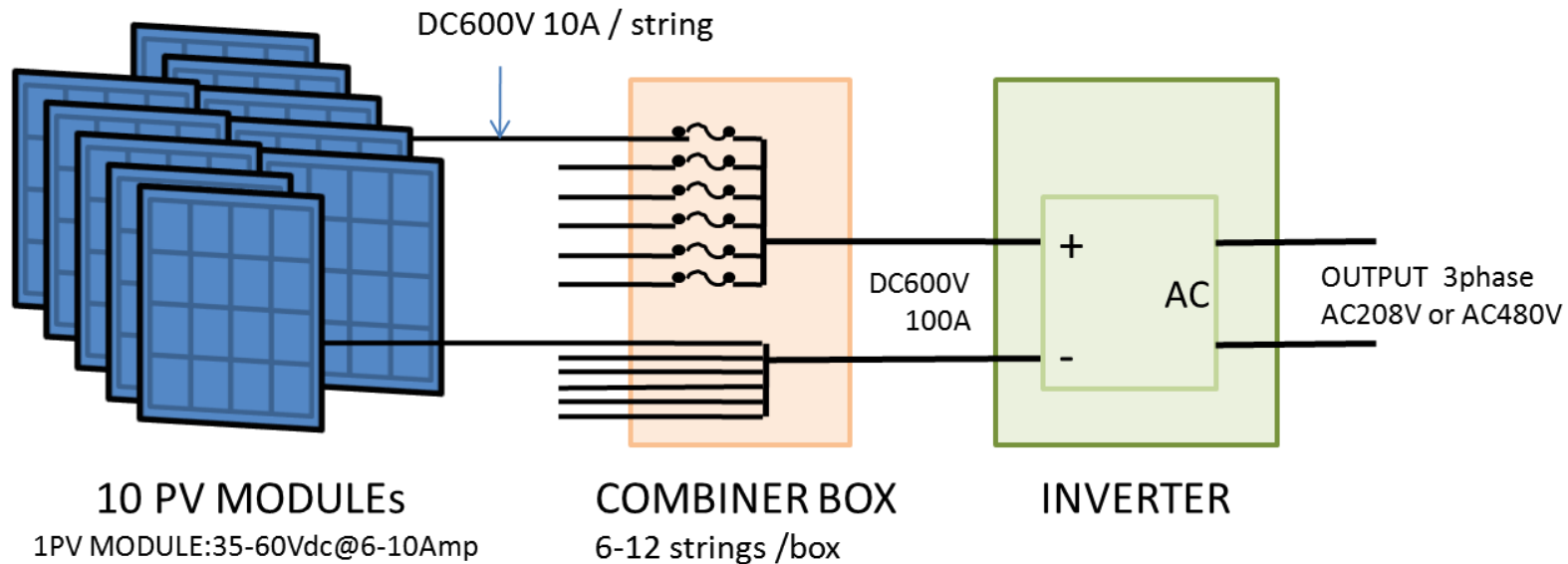


# The Application:

## BASIC PV SYSTEM



### Basic Combiner

1. Fuse for each string per NEC

### Options for Combiner

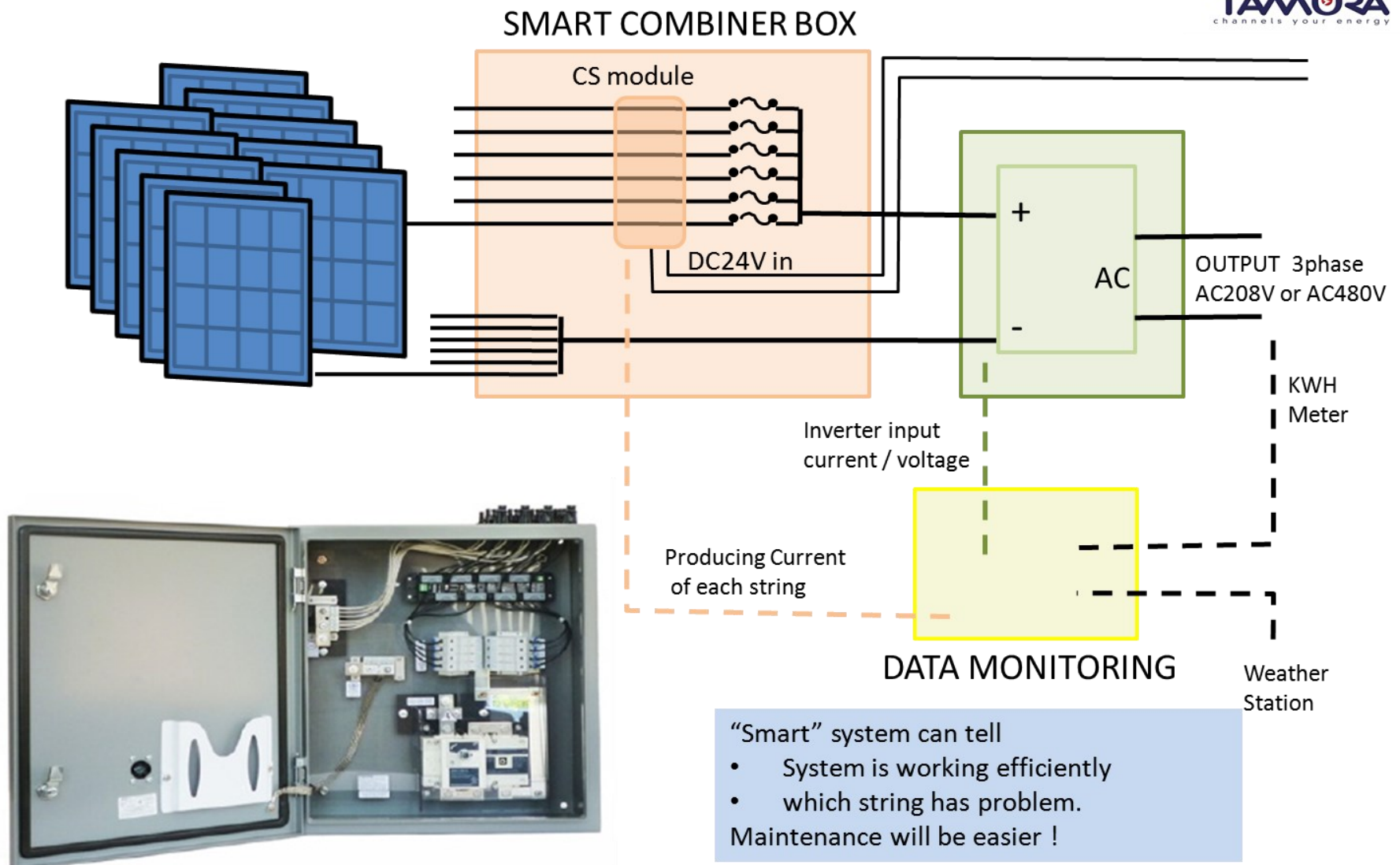
2. Add DC connector switch
3. Add surge protector
4. Add current sensor to each string
5. Add wireless serial data transmitter

"SMART" COMBINER

# The Application: "SMART" PV SYSTEM



**TAMURA**  
channels your energy

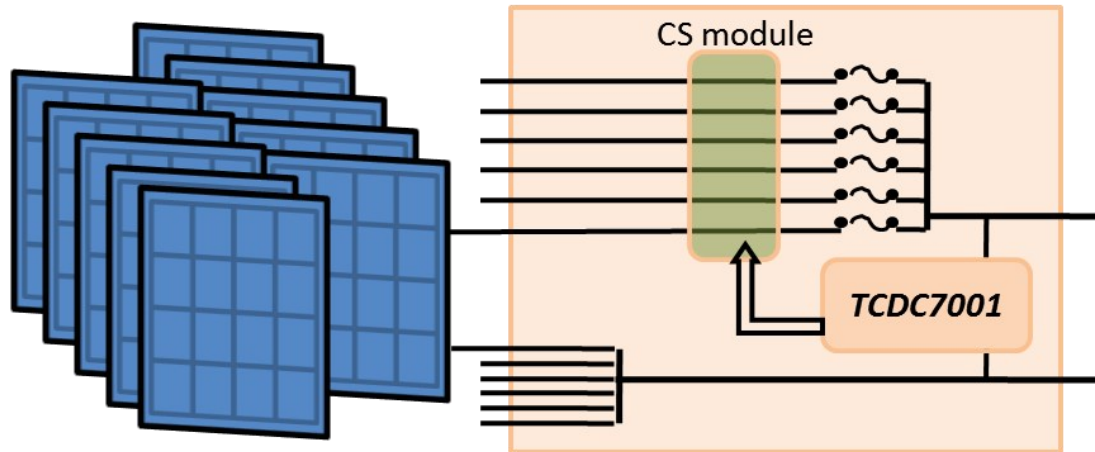


"Smart" system can tell

- System is working efficiently
- which string has problem.

Maintenance will be easier !

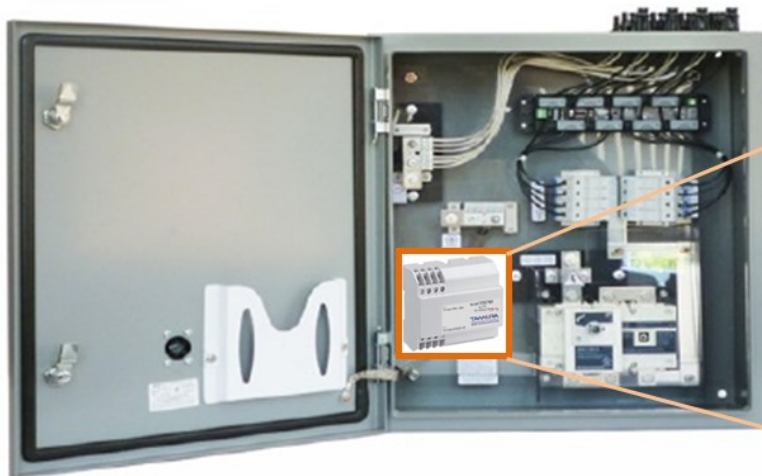
# "SMARTY" DC-DC POWER SUPPLY



Use high, variable DC voltage generated by PV modules as input. Provide stable 24V to CS module and other local equipment instead of long cabled AC-DC power supply. ~20cents/W cheaper than existing solution.

**INPUT: DC200-1000V**

**OUTPUT : 24V 1A**



# Example

